

SLIDING DOOR SYSTEM: INSTALLATION INSTRUCTIONS

TOP TRACK POSITIONING S34 / S42

Version 1 (Up to date: June 2010)

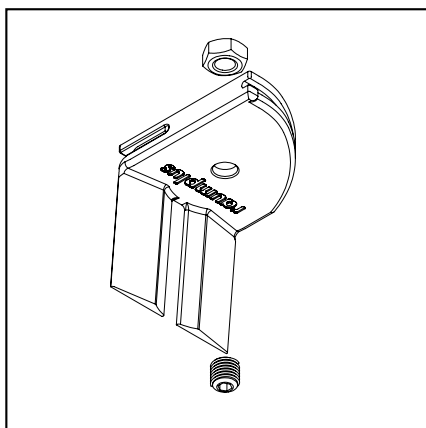


subject to technical changes

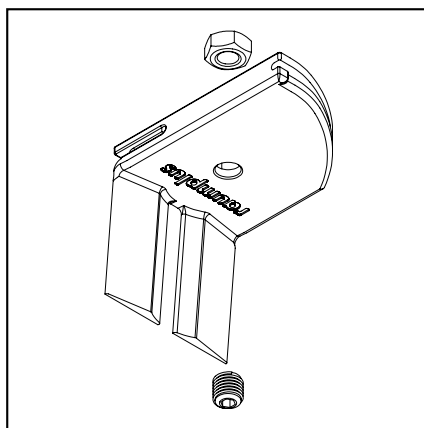
raumplus

ACCESSORIES AND TOOLS

ACCESSORIES:

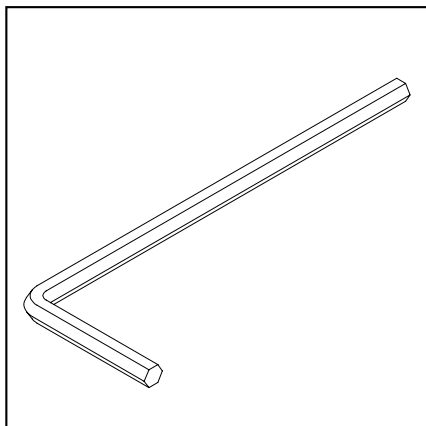


1_ top track positioning S34
(item-no.: 10.01.026)

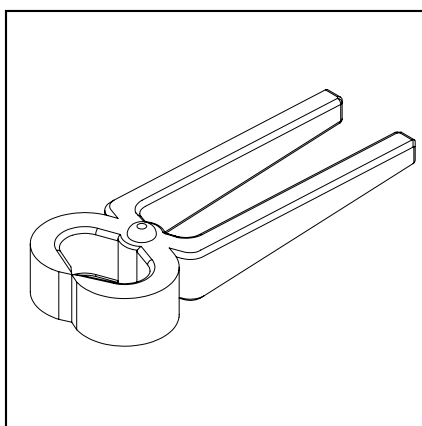


2_ top track positioning S42
(item-no.: 10.01.027)

TOOLS:



1_ allen key 2,5mm

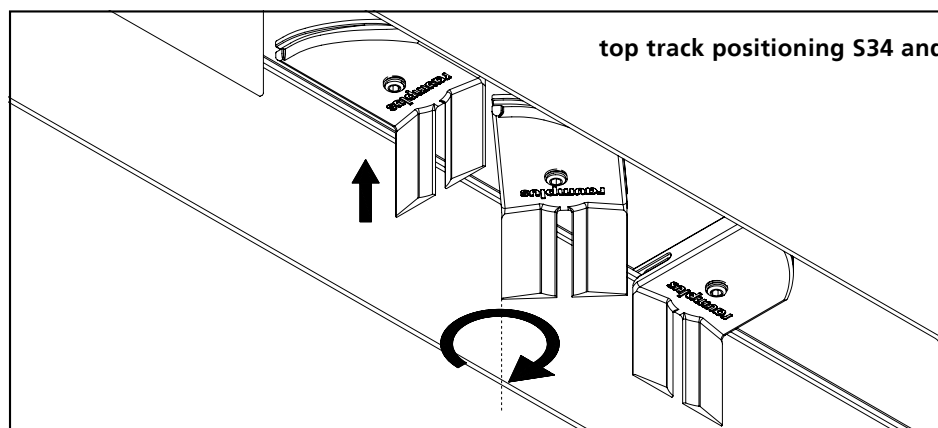


2_ carpenters pincers

top track positioning S34 and S42 for 40 mm and 60 mm top track

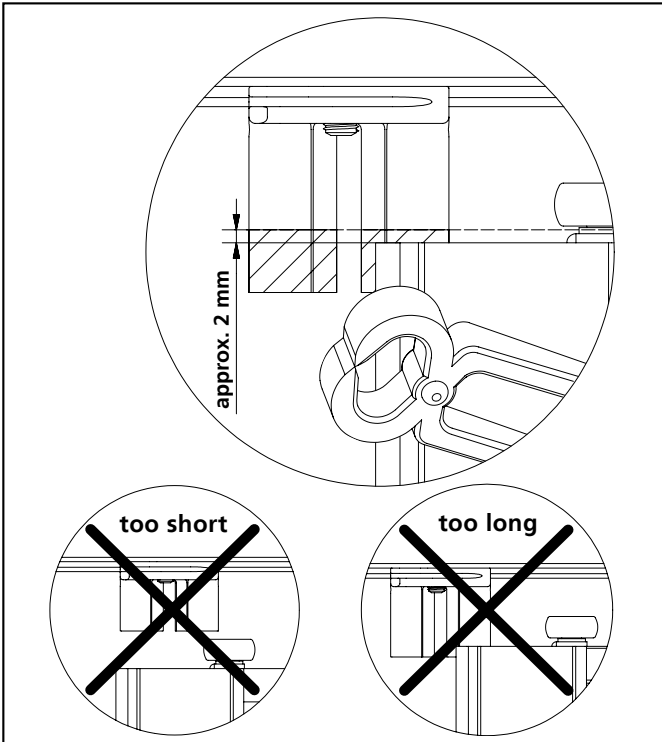


Please pay attention
to the following steps.

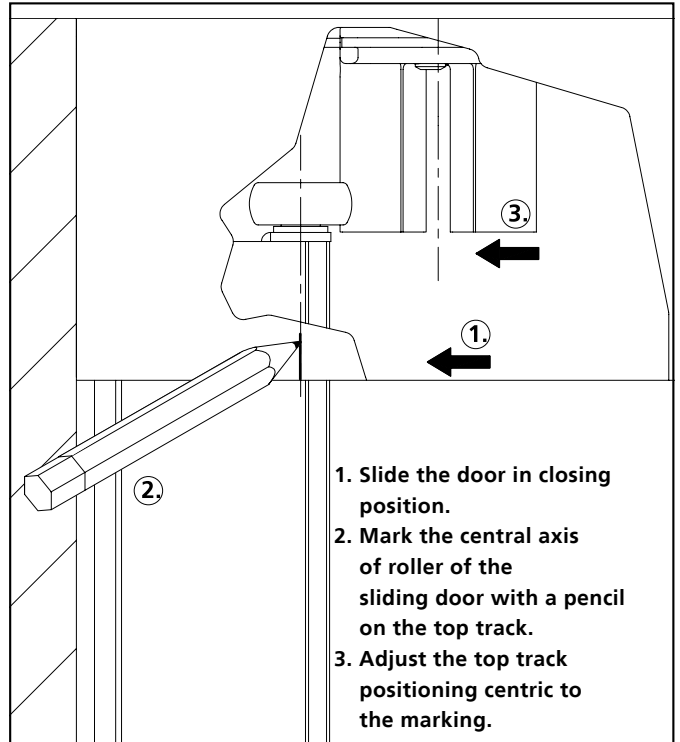


1_ put the top track positioning into the top track and turn it in

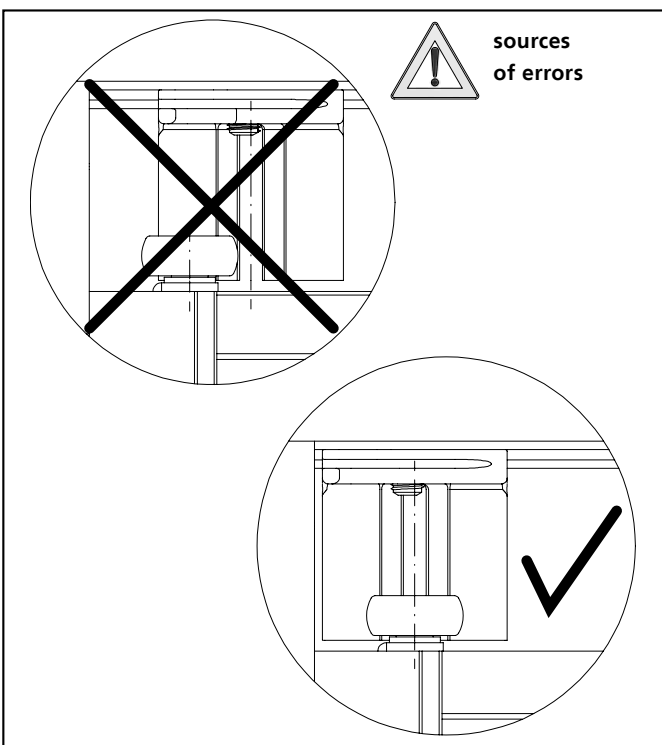
INSTALLATION INSTRUCTIONS



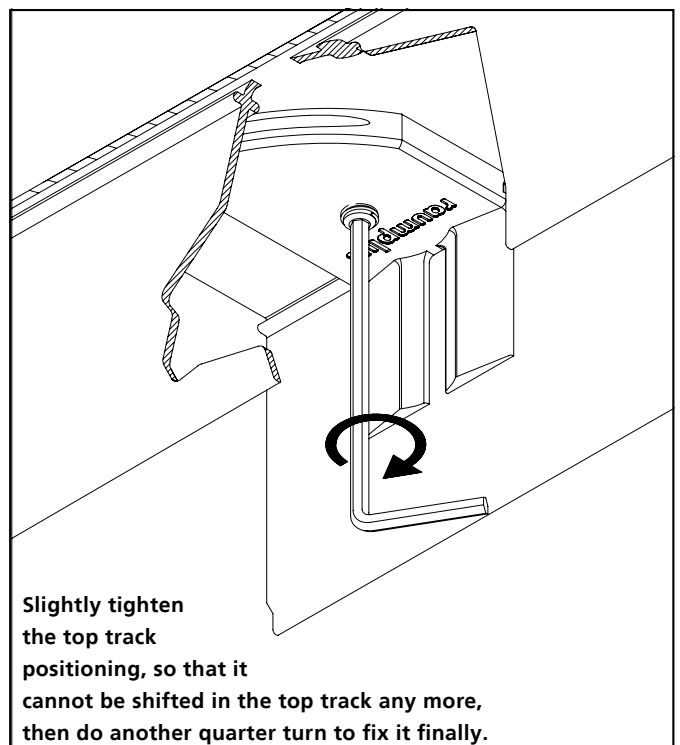
2_ top track positioning, has to be shortened



3_ central axis to mark



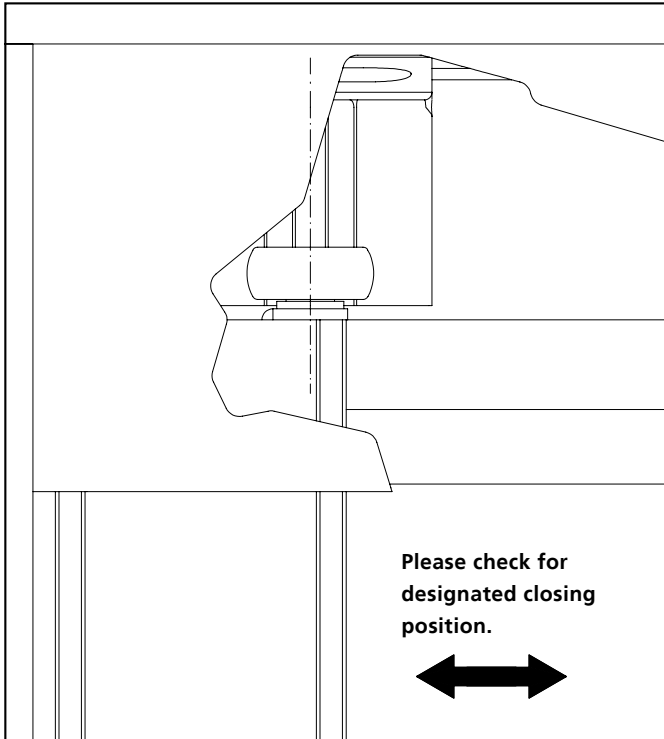
4_ controlling the position



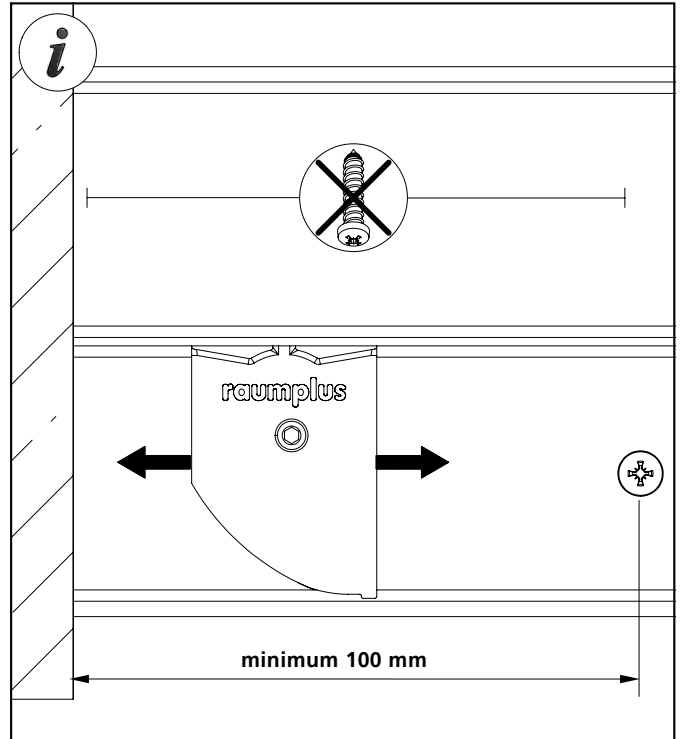
5_ top track positioning fixed

Slightly tighten the top track positioning, so that it cannot be shifted in the top track any more, then do another quarter turn to fix it finally.

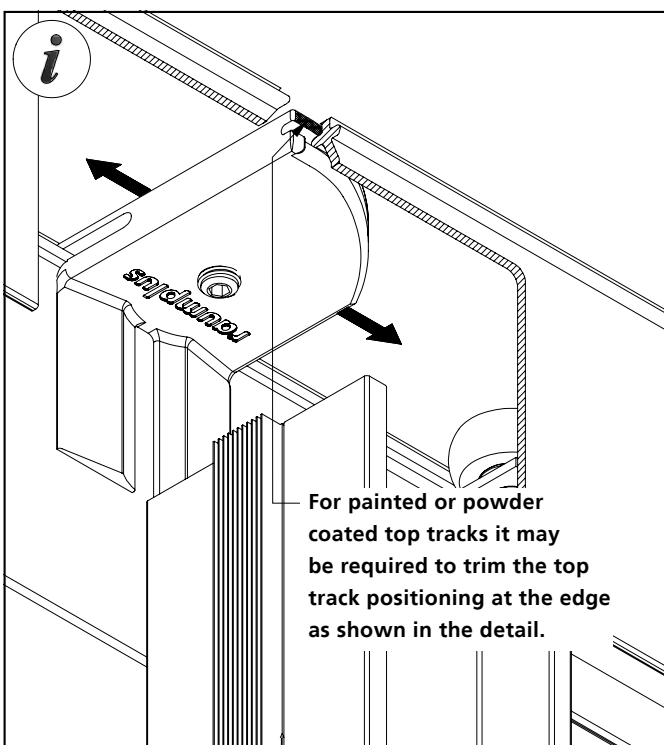
INSTALLATION INSTRUCTIONS



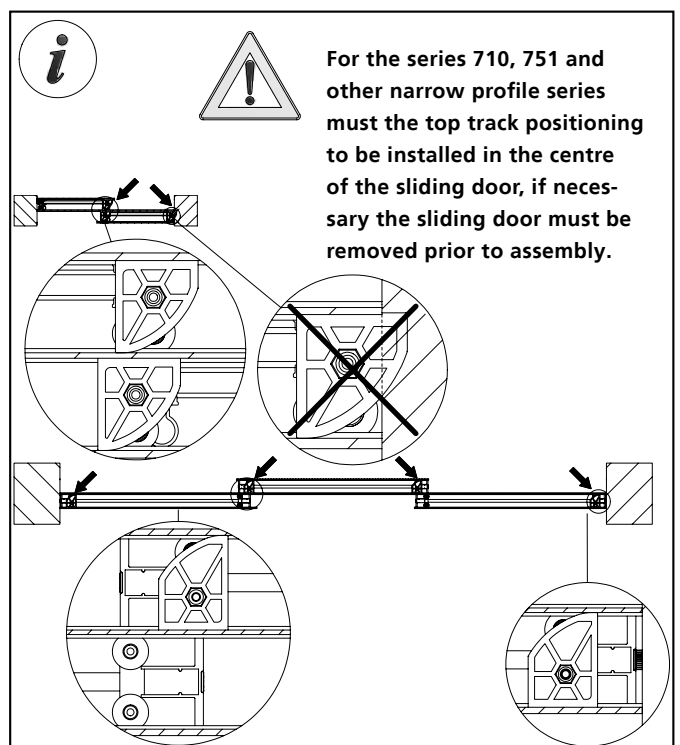
6_ function test



7_ no screw in the assembly sector



8_ trim top track positioning if necessary



9_ positioning examples for the top track positioning